

ECF bleached hardwood Kraft pulp (BHKP), composed of Poplar (30%), Beech (25%), Chestnut and Oak (33%) and others (12%).

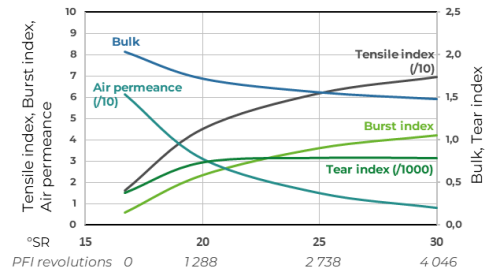
The fibers diversity of the MHW pulp from Saint-Gaudens mill provides a regular filling of the sheet, developing particularly attractive characteristics such as :

- An excellent aptitude to sheet formation for all grammages, especially with high grammages
- A good opacity and a good bulk which provide a real interest in low grammages
- A low air permeability for a good surface finish and high printability characteristics
- An excellent cleanliness which fits to technical coating requirements and provides final product aesthetic.

Thus, this wood pulp is optimal for Tissue, Printing & Writing or Specialty papers production.

OPTICAL, PHYSICO-CHEMICAL AND MORPHOLOGICAL PROPERTIES

Brightness	%	ISO 2470	≥ 87	Acetone Extractives	%	ISO 14453	≤ 0,3
Dirt	ppm	ISO 5350	≤ 4	Ash	%	ISO 1762	≤ 0,7
pH		ISO 6588	4 + 6	Fiber Length	mm	MorFi	0,76
Opacity	%	ISO 2471	85	Coarseness	mg/m	MorFi	0,10



PHYSICAL PROPERTIES ⁽¹⁾

PFI beating (ISO 5264/2) - Rapid Köthen Handsheets (80 g/m²)
Testing conditions - 23°C - 50%RH (ISO 187)

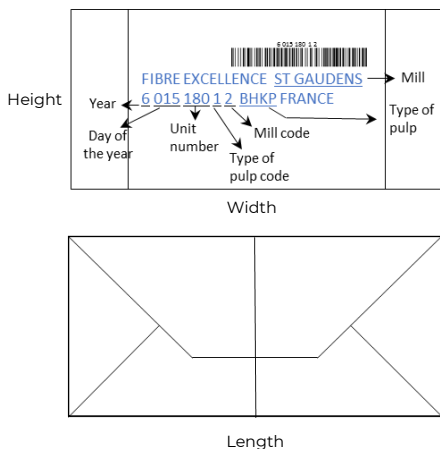
Freeness	°SR	ISO 5267/1	-	16,7 ^{+/-1.0} (unrefined pulp) ≈ 670	20		25		30	
					≈ 600	≈ 500	≈ 425			
Bulk	cm ³ /g	ISO 534	Average (Min)	2,04 (1,99)	1,72 (1,67)	1,56 (1,52)	1,48 (1,44)			
Tensile Index	kN.m/kg	ISO 1924/2	Average (Min)	16,3 (12,0)	45,1 (39,2)	61,9 (57,7)	69,5 (64,4)			
Burst Index	kPa.m ² /g	ISO 2758	Average (Min)	0,6 (0,4)	2,4 (1,9)	3,6 (3,3)	4,2 (3,8)			
Tear Index	mN.m ² /g	ISO 1974	Average (Min)	376 (307)	738 (629)	793 (742)	790 (735)			
Air permeance	cm ³ /m ² .Pa.s	ISO 5636/3	Average (Min / Max)	61,3 (55 / 72)	31,1 (25 / 39)	15,0 (9 / 21)	8,0 (4 / 12)			

(1) These values originate from the mill quality control measurements performed during 2020. They are given in good faith to represent mill performance and do not constitute contractual undertaking.
(2) Conversion from °SR. No laboratory measurements was performed.

ENVIRONMENT, QUALITY, SECURITY, WOOD CERTIFICATIONS

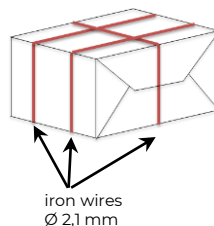
ISO 9001 : 2015	ISO 14001 : 2015	ISO 45001 : 2018
PEFC chain of custody (SGS CH18/0863)	FSC Controlled Wood (SGSCH-CW-110050)	FSC chain of custody (SGSCH-COC-110050)
Food contact certification (ISEGA 52563 U 20)		

MARKING DESIGN



UNIT AND BALE INFO

Single pulp bales, 250 kg (90%)
Sheet dry pulp



One unit, 8 bales, 2.0 ADMT

Rail, lorry and container
5 iron wires, Ø 3 mm

Vessel Break Bulk
7 iron wires, Ø 3 mm

Measures in meter
L about 0.84
W about 1.75
H about 1.75

